

D - METERING PUMP.



CONVEYING CAPACITY
0.06-1,000 L/H
(0.016-264 USGPH)

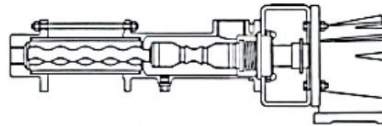
PRESSURE
UP TO 24 BAR
(360 PSI)

SEEPEX metering pumps have highly repeatable accuracy. They're used to handle thin to highly viscous products that can be entrained with or without solids and may be corrosive, all with low pulsation and to the exact drop.

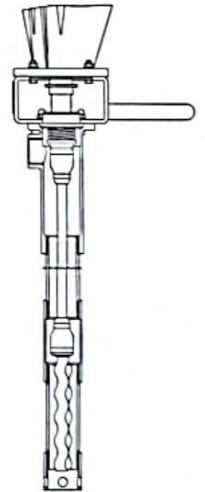
PROPERTIES AND BENEFITS

- 6 ranges
- Simple interchangeability due to their modular construction
- Infinite turn down
- Minimal pulsation, no pulsation dampers required
- Constant flow, independent of pressure
- Low shear characteristics
- High metering accuracy
- Valveless flow control
- No check valves, no gas locking or blocking by solids
- Drive options and control systems available that allow user-friendly metering applications

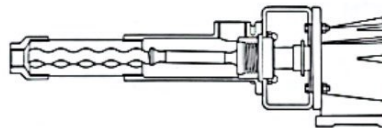
MD RANGE



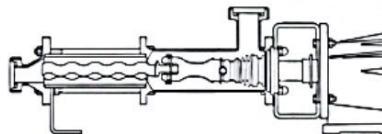
MDF RANGE



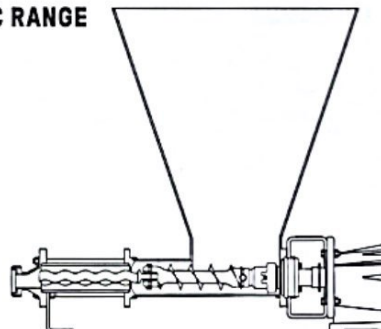
MDP RANGE



MDC RANGE



MDTC RANGE



MDT RANGE

